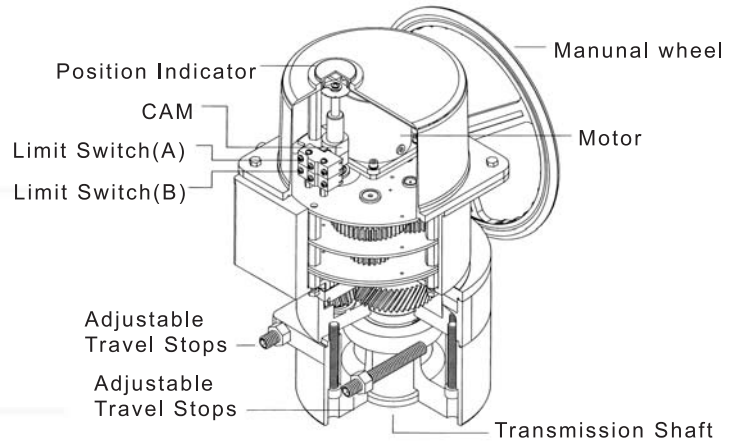


## UM-12 Series

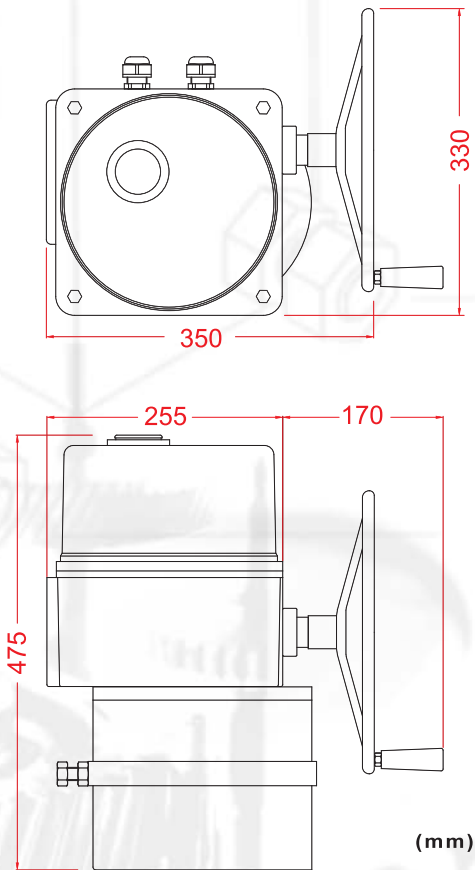


Weight : 60 kg



Specification	Speed(sec)		Output Troque Kgf-cm					
	110VAC	220VAC	AC	DC	110VAC	220VAC	24VDC	
Power	100W	0.92A	0.34A	143	N/A	35000	35000	N/A

The Size Of Valve	
Flanged Ends	Butterfly Valve
12" ~ 14"	20" ~ 24"



Mounting pattern is depending on valve

